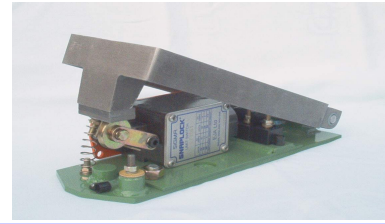


Driver Safety Device Foot Pedal

Manufacturing Ref TY215



The Driver Safety Device Foot Pedal is manufactured from a steel fabricated base and aluminium pedal frame with a heavy duty switch mechanism to withstand the rigours of the working environment.

The standard pedal frame arrangement is 106mm wide but widths of 90mm and 162 mm are also available.

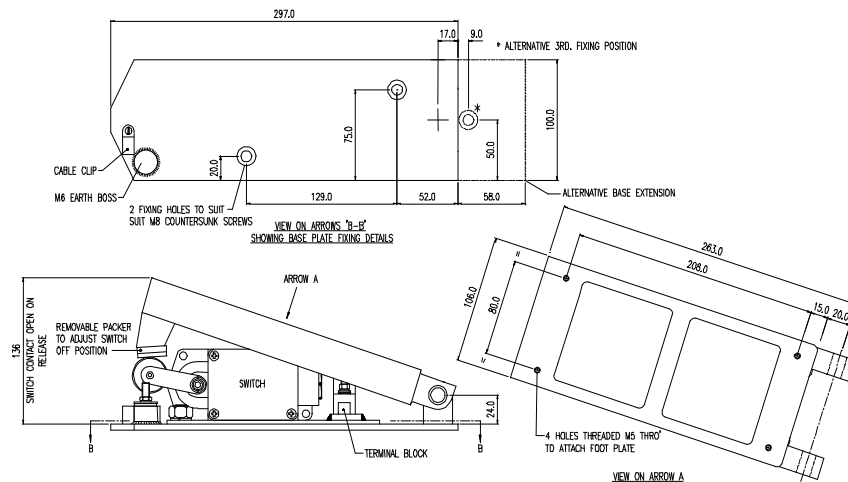
Contact rating: 5A maximum breaking current at 115V d.c.

Contact arrangement: 1 NO, 1 NC or ICO

For the standard arrangement:

The maximum pedal plate weight is 1.8kg.

The maximum weight of the pedal assembly less pedal plate (as illustrated) is 3.8kg



STScrail Ltd
Doulton Road, Cradley Heath, West Midlands B64 5QB

Tel: +44 (0) 1384 567755
Fax: +44 (0) 1384 567710
Email: signals@sts-international.co.uk